



**ICARUS
AERO INC.**
Aviation Engineering

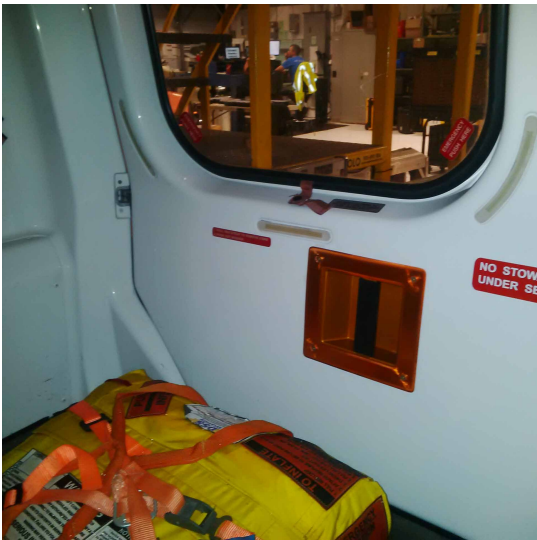
“Engineer, Build, Fly”

1211 Gravenhurst Parkway, Gravenhurst, ON P1P 1R1
249.502.0966 • 1.844.882.AERO
info@iaero.ca • www.IAERO.ca

Structures • Systems • Aerodynamics • Interiors • Composites • Avionics
Drafting / CAD / design services • STC / SSTC / PDA / RDA approvals • DAO / DAR services

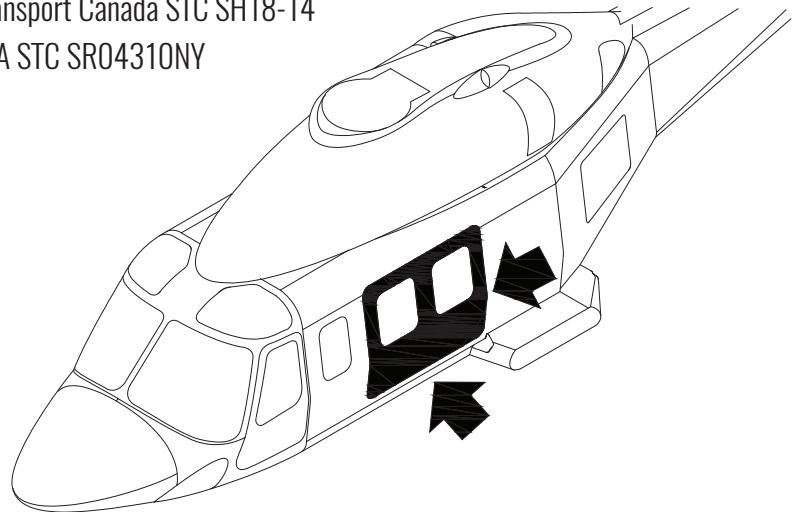
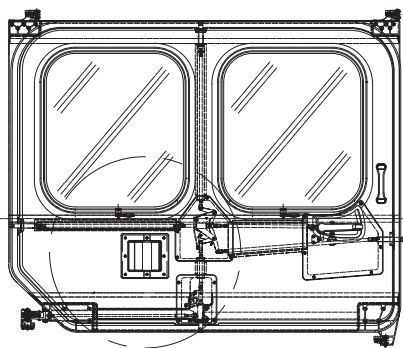
AW139 CABIN DOOR HANDLE KIT

The ICARUS AW139 Cabin Door Handle Kit provides a secure locking mechanism for the rear cabin left and right side sliding doors, and includes a ‘door closed’ sensor with indication available to the pilot. The kit addresses reported instances of unintended door opening situations while in flight. Such situations can lead to potentially dangerous flight conditions. The field installable kit comes with all materials and concise installation instructions, and is STC’d for both cabin side doors.



FEATURES

- Adds fixed center interior door handle to improve door-closing action and increase door-closing force
- Modifies rear mechanical locking mechanism
- Adds additional discrete switch to ensure fully closed door condition is available to pilot
- Kit includes all parts required for both LH and RH doors
- Utilizes standard tools and processes
- No flight limitations
- No impact on emergency egress
- Transport Canada STC SH18-14
- FAA STC SR04310NY



ABOUT ICARUS AEROSPACE

ICARUS Aerospace Services Inc. is a Transport Canada, F.A.A. and EASA approved design, certification and manufacturing organization that specializes in aircraft modifications, engineering services, special mission aircraft conversions, logistics support and integrated kit solutions. Facilities are located in Toronto. Contact us: info@iaero.ca for more information.