



**ICARUS
AERO INC.**
Aviation Engineering

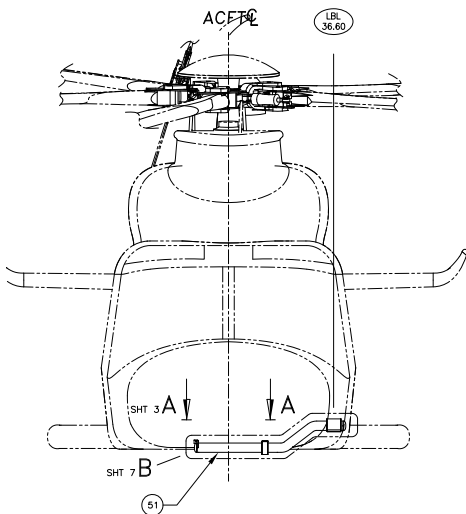
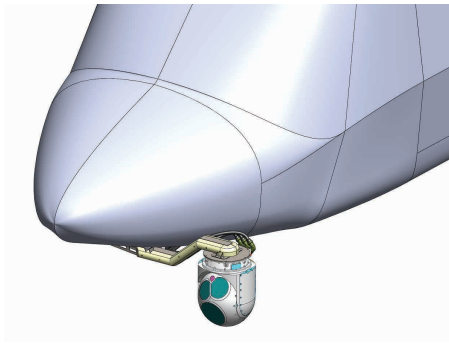
“Engineer, Build, Fly”

1211 Gravenhurst Parkway, Gravenhurst, ON P1P 1R1
249.502.0966 • 1.844.882.AERO
info@iaero.ca • www.IAERO.ca

Structures • Systems • Aerodynamics • Interiors • Composites • Avionics
Drafting / CAD / design services • STC / SSTC / PDA / RDA approvals • DAO / DAR services

AW139 CAMERA ARM MOUNT KIT

The ICARUS Camera Arm Mount Kit allows for safe and secure installation of an externally mounted EO/IR sensor. When installed, the kit can accommodate EO/IR sensors from 9 inch through 15 inch diameter. The mount includes a quick-disconnect which allows for easy removal and re-installation of the camera to provide maximum mission flexibility. Each field installable kit comes with all materials and concise installation instructions for installation. **NOTE:** kit can be installed for either left or right side operation. Specify intended EO/IR turret when ordering to ensure correct quick-disconnect is supplied.



FEATURES

- Field installable in less than 3 hours, requires no special tools;
- Designed for most turrets: FLIR, Wescam, Trakka, Cloudcap, Controp etc. (other turrets can be accommodated – enquire for details);
- Max payload weight 100 lbs (can be increased – enquire for details);
- Installed kit Weighs less than 40 lbs;
- Turret payload easy to remove and reinstall, using quick-disconnect;
- Made from machined aircraft grade aluminum;
- No airworthiness limitations (provisions only - additional testing may be required depending on turret)
- Transport Canada serialized STCs available



ABOUT ICARUS AEROSPACE

ICARUS Aerospace Services Inc. is a Transport Canada, F.A.A. and EASA approved design, certification and manufacturing organization that specializes in aircraft modifications, engineering services, special mission aircraft conversions, logistics support and integrated kit solutions. Facilities are located in Toronto. Contact us: info@iaero.ca for more information.